

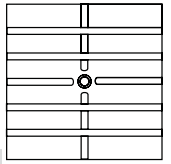


- ◎ Table size form size 1,000mm to size 2,000mm can be manufactured in both Vertical/Horizontal position. With high accuracy and high loading capacity which are suitable for heavy machining and metrology applications.
- ◎ High Heavy loading capacity axial-radial Roller Bearings are incorporated to provide high rigidity.
- ◎ All units in Tables are manufactured from high quality materials and workmanship. Every Table has Running/Accuracy testing for at least 48 performance confidence.
- ◎ Can be designed by customers' drawings Saddle.
- ◎ 0.001 degree increment is standard. Indexing accuracy can be chosen by customers' request. 5 sec. or 10 sec. (encoder is required.)

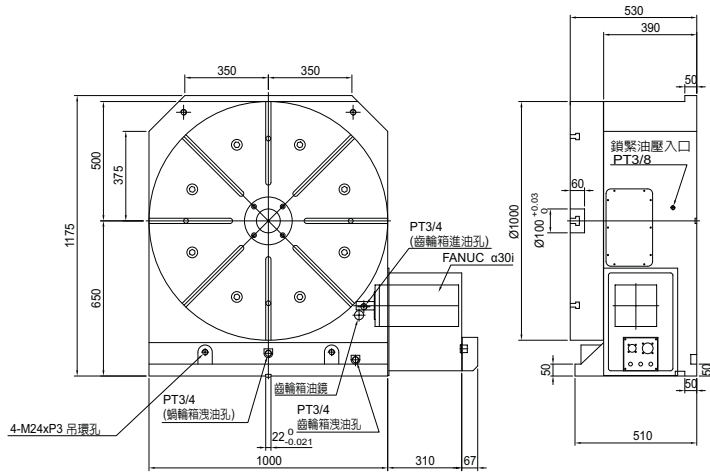
ITEM / MODEL		CNC-1000HV	CNC-1200HV	CNC-1500HV	CNC-2000HV
Table Dia (mm)		1000	1200	1500	2000
Center Height in Vertical (mm)		650	810	900	1100
Table Height in Horizontal (mm)		530	530	700	800
Over all Height in Vertical Without Motor Cover (mm)		1175	1460	1695	2145
Center Holes (mm)		100 X 60	100 X 60	200 X 70	200 X 70
Width of T-slot (mm)		22 ^{H7}	22 ^{H7}	22 ^{H7}	28 ^{H7}
Width of Guide Block (mm)		22 ^{H7}	22 ^{H7}	28 ^{H7}	36 ^{H7}
Servo motor type	MELDAS	HF-453S	HF-453S	HF-453S	HF-703S
	FANUC	α30 i	α30 i	α30 i	α40 i
	SIEMENS	1FK7103	1FK7103	1FK7103	1FK7105
	HEIDENHAIN	QSY155F	QSY155F	QSY155F	QSY190D
Gear Ratio		1:360	1:360	1:720	1:720
Min. Indexing (degree)		0.001°	0.001°	0.001°	0.001°
Max. R.P.M. (rpm) (motor : 2000 / rpm)		5.56	5.56	2.78	2.78
Hydro. clamp force (kg•m) (P:35kg / cm ²)		1100	1100	1500	2000
Indexing Accuracy Class (sec.)		A	15"	A	15"
		High Accuracy Rotary Table Refer to P39 chart 2			
Indexing Accuracy	Encoder	±5"	±5"	±5"	±5"
Repeatability	Encoder	4"	4"	4"	4"
Max. Machining Force (kg•m)		500	500	600	700
N.W. (kgs)		2500	3500	6000	8000
Max. Load	Vertical	W=1500 kg	W=2000 kg	W=3000 kg	W=4000 kg
	Horizontal	W=3500 kg	W=5000 kg	W=8000 kg	W=10000 kg
Max. Radial Load		F=3000 kg	F=3000 kg	F=5000 kg	F=6000 kg
		FxL=1000 kg•m	FxL=1000 kg•m	FxL=1500 kg•m	FxL=2000 kg•m
		FxL=1000 kg•m	FxL=1000 kg•m	FxL=1500 kg•m	FxL=2000 kg•m

※ All specifications can be modified according to customers' requirement.

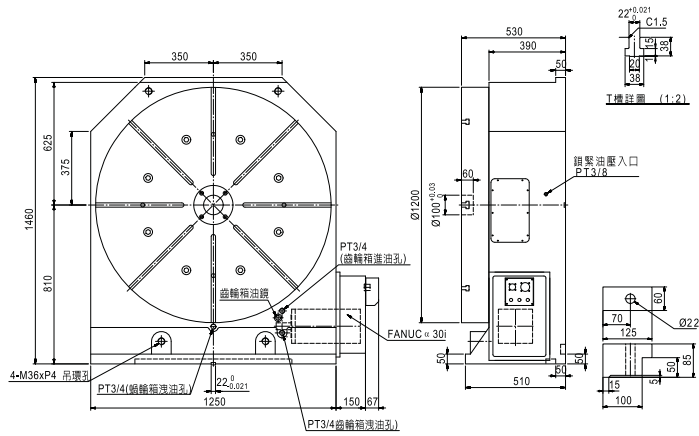
Large Size CNC Rotary Table



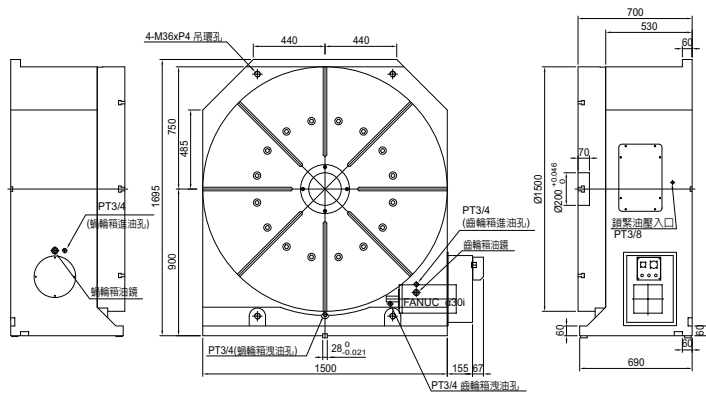
CNC-1000



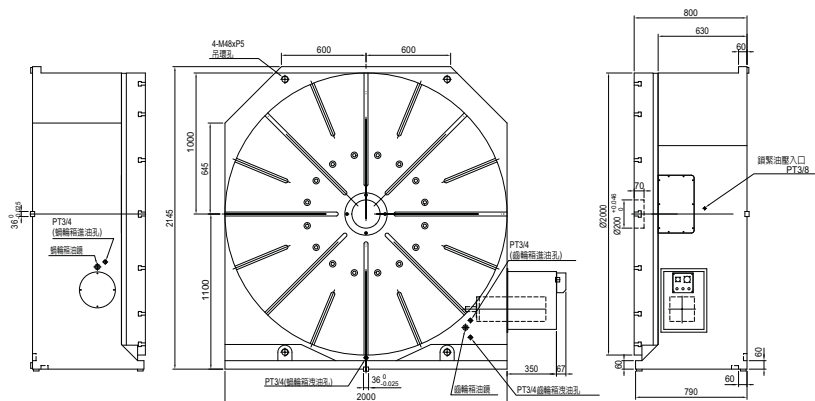
CNC-1200



CNC-1500



CNC-2000



Large Size Table