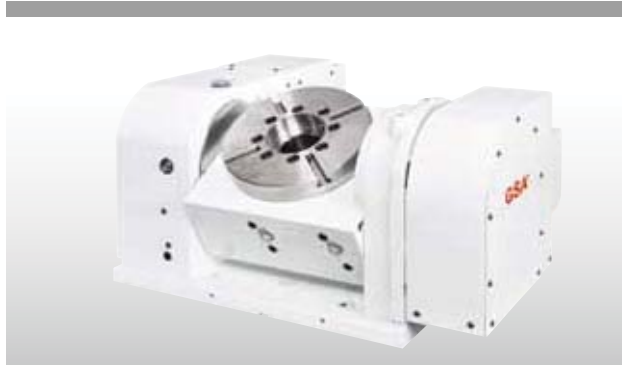
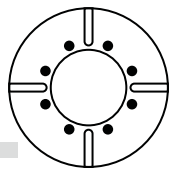


# CNCT-100, 200, 250, 320 CNC TILTING Rotary Table



- ⊙ Easy Installation Easy Operation.
- ⊙ Compact Design Wide Machine Range.
- ⊙ Even Approx. One Meter Table M/C Could be Installed.
- ⊙ To match 5 axes M/C for continuing machining, the tilting axis could be connected the M-code by using our single axis AC/DC/Stepping servo controller.

## MODEL NO : **CNCT-250**

- Table Dia.
- Type of CNC Tilting Rotary Table

CNCT / CNCMT

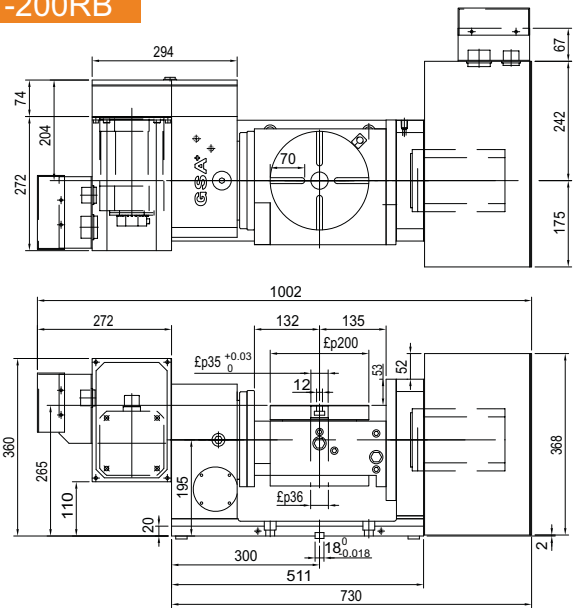
ITEM / MODEL		CNCT-100		CNCT-200		CNCT-250		CNCT-320	
Table Dia (mm)		120		200		250		320	
Table center Height in Vertical (mm)		150		195		225		255	
Over all Height in Vertical (mm)		235		360		355		425	
Thru-Hole Dia (mm)		30 <sup>H7</sup>		35 <sup>H7</sup>		70 <sup>H7</sup>		110 <sup>H7</sup>	
Width of T-slot (mm)		10 <sup>H7</sup>		12 <sup>H7</sup>		12 <sup>H7</sup>		14 <sup>H7</sup>	
Width of Guide Block (mm)		14 <sup>H7</sup>		18 <sup>H7</sup>		18 <sup>H7</sup>		18 <sup>H7</sup>	
Servo motor type		Rotating	Tilting	Rotating	Tilting	Rotating	Tilting	Rotating	Tilting
	MELDAS	HF-75T	HF-75T	HF-104T	HF-154T	HF-104T	HF-154T	HF-154T	HF-204S
	FANUC	α2 i	α2 i	α4 i	α8 i	α4 i	α8 i	α8 i	α12 i
	SIEMENS	1FK7042	1FK7042	1FK7060	1FK7063	1FK7060	1FK7063	1FK7063	1FK7083
	HEIDENHAIN	QSY96A	QSY96A	QSY116C	QSY116E	QSY116C	QSY116E	QSY116E	QSY155B
Gear Ratio		1:72	1:120	1:90	1:180	1:90	1:180	1:180	1:180
Min. Increment(degree)		0.001°	0.001°	0.001°	0.001°	0.001°	0.001°	0.001°	0.001°
Max. R.P.M. (rpm) (motor : 2000 / rpm)		27.8	16.7	22.2	11.1	22.2	11.1	11.1	11.1
Tilting degree		-20°~120°		-110°~110°		-110°~110°		-110°~110°	
Rotation axis	Pneu. clamp force(kg·m)(P:5kg / cm <sup>2</sup> )	12		25		50		71	
	Hydro. clamp force(kg·m)(P:20kg / cm <sup>2</sup> )	24		50		100		142	
	Indexing Accuracy (sec.)	30"		20"		15"		15"	
	Repeatability (sec.)	4"		4"		4"		4"	
Tilting axis	Pneumatic/Hydraulic clamping force(kg·m)	12/24		25/50		50/120		71/142	
	Indexing Accuracy (sec.)	60"		50"		30"		30"	
N.W (kgs)		105		240		280		505	
Max. Load	Vertical	W=20 kg		W=50 kg		W=60 kg		W=100 kg	
	Horizontal	W=35 kg		W=100 kg		W=100 kg		W=200 kg	
Max. Radial Load		F=400 kg		F=500 kg		F=1200 kg		F=1500 kg	
		FxL=12 kg·m		FxL=16.5 kg·m		FxL=25 kg·m		FxL=37.5 kg·m	
		FxL=10 kg·m		FxL=15 kg·m		FxL=26 kg·m		FxL=35 kg·m	
Max. Working Inertia	$J = \frac{WD^2}{(8 \times 980)}$	3kg·cm·sec <sup>2</sup>		5kg·cm·sec <sup>2</sup>		8kg·cm·sec <sup>2</sup>		26kg·cm·sec <sup>2</sup>	

※ All specifications can be modified according to customers' requirement.

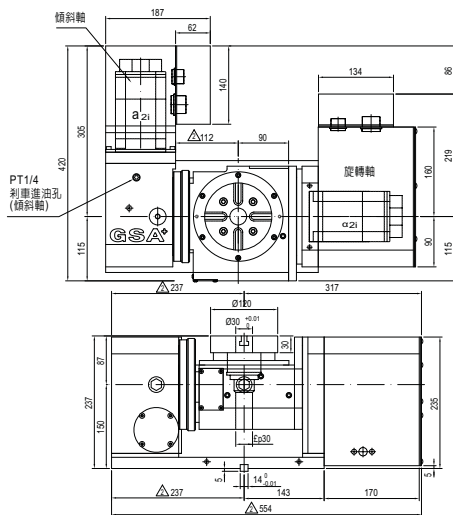
- Standard accessory : eye bolts, clamping blocks
- Could be increased tilting angle ±180°

- ⊙ Adapting Tailstock→ Refer to P : 19-21
- ⊙ To match AC/DC-/Stepping-Controller→ Refer to P : 33-35

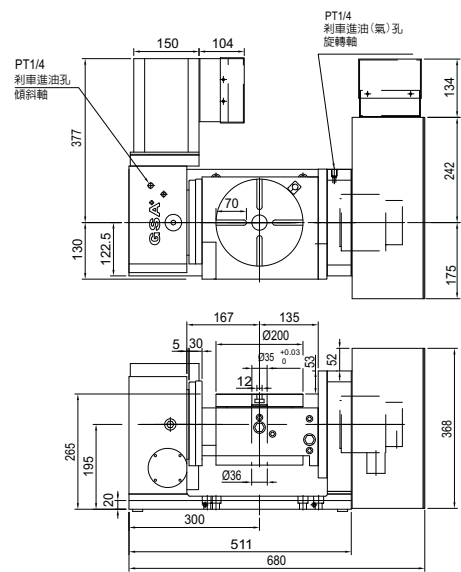
### CNCT-200RB



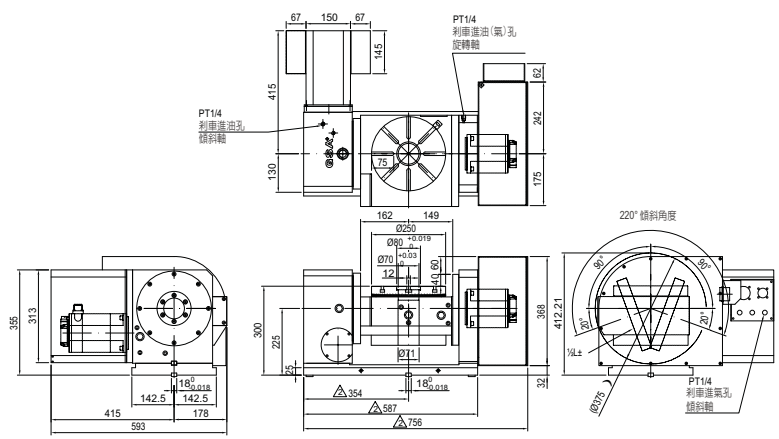
### CNCT-100



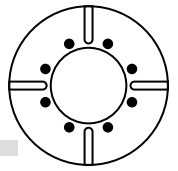
### CNCT-200



### CNCT-250A



# CNCT-320SW, 450, 630, 800 CNC Trunnion Table



- ◎ Dual-Lead worm wheel and worm shaft design with wear-resisting material suitable for 5 axes simultaneous machining.
- ◎ Low center height profile design with wide range machining space.
- ◎ Optional balance pistons provides heavy cutting application and long-term using.

## MODEL NO : **CNCT-450**

- Table Dia.
- Type of CNC Tilting Rotary Table

CNCT / CNCMT

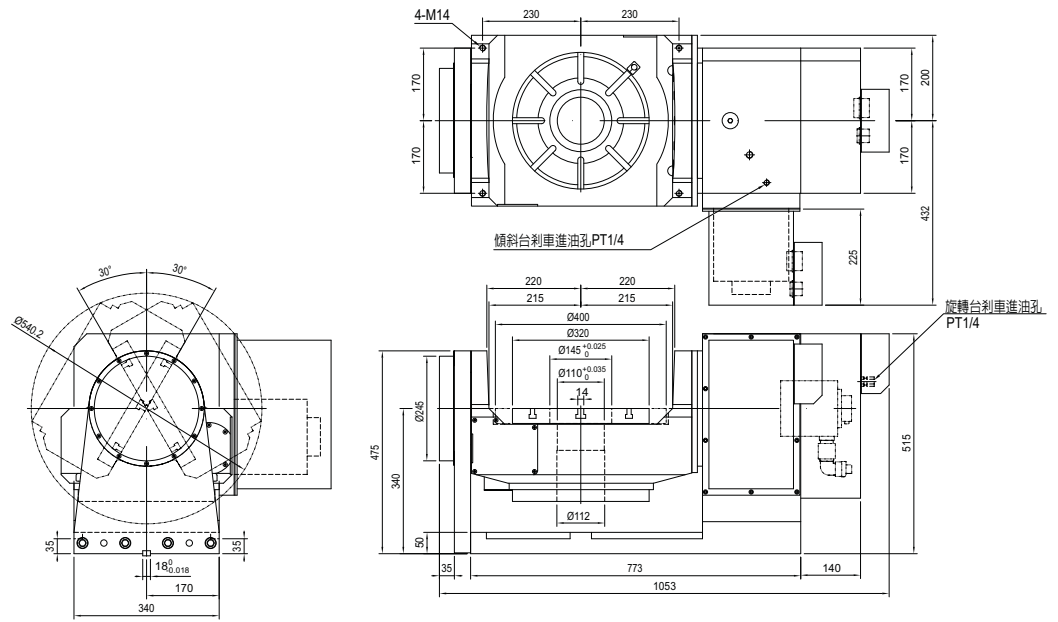
ITEM / MODEL		CNCT-320SW		CNCT-450		CNCT-630		CNCT-800	
Table Dia (mm)		320		450		630		800	
Table center Height in Vertical (mm)		255		440		580		650	
Over all Height in Vertical (mm)		425		650		905		1050	
Thru-Hole Dia (mm)		110 <sup>H7</sup>		150 <sup>H7</sup>		254 <sup>H7</sup>		254 <sup>H7</sup>	
Width of T-slot (mm)		14 <sup>H7</sup>		14 <sup>H7</sup>		18 <sup>H7</sup>		20 <sup>H7</sup>	
Width of Guide Block (mm)		18 <sup>H7</sup>		18 <sup>H7</sup>		22 <sup>H7</sup>		22 <sup>H7</sup>	
Servo motor type		Rotating	Tilting	Rotating	Tilting	Rotating	Tilting	Rotating	Tilting
	MELDAS	HF-154T	HF-204S	HF-204S	HF-354S	HF-354S	HF-354S	HF-354S	HF-453S
	FANUC	α8 i	α12 i	α12 i	α22 i	α22 i	α22 i	α22 i	α30 i
	SIEMENS	1FK7063	1FK7083	1FK7083	1FK7101	1FK7101	1FK7101	1FK7101	1FK7103
	HEIDENHAIN	QSY116E	QSY155B	QSY155B	QSY155D	QSY155D	QSY155D	QSY155D	QSY155F
Gear Ratio		1:180	1:180	1:90	1:180	1:180	1:360	1:180	1:720
Min. Increment(degree)		0.001°	0.001°	0.001°	0.001°	0.001°	0.001°	0.001°	0.001°
Max. R.P.M. (rpm) (motor : 2000 / rpm)		11.1	11.1	22.2	11.1	11.1	5.6	11.1	2.7
Tilting degree		-120°~120°		-120°~120°		-120°~120°		-120°~120°	
Rotation axis	Pneu. clamp force(kg•m)(P:5kg / cm <sup>2</sup> )	71		90		350		/	
	Hydro. clamp force(kg•m)(P:20kg / cm <sup>2</sup> )	142		180		700			
	Indexing Accuracy (sec.)	15"		15"		15"		15"	
	Repeatability (sec.)	4"		4"		4"		4"	
Tilting axis	Pneumatic/Hydraulic clamping force(kg•m)	95/190		120/210		420/800		-/1250	
	Indexing Accuracy (sec.)	30"		30"		30"		30"	
N.W (kgs)		505		1160		2650		4850	
Max. Load	Vertical	W=100 kg		W=150 kg		W=300 kg		W=600 kg	
	Horizontal	W=200 kg		W=300 kg		W=500 kg		W=1000 kg	
Max. Radial Load		F=1500 kg		F=1880 kg		F=2080 kg		F=2600 kg	
		FxL=37.5 kg•m		FxL=60 kg•m		FxL=185 kg•m		FxL=230 kg•m	
		FxL=35 kg•m		FxL=50 kg•m		FxL=228 kg•m		FxL=285 kg•m	
Max. Working Inertia	$J = \frac{WD^2}{(8X980)}$	26kg•cm•sec <sup>2</sup>		43kg•cm•sec <sup>2</sup>		169kg•cm•sec <sup>2</sup>		253kg•cm•sec <sup>2</sup>	

※ All specifications can be modified according to customers' requirement.

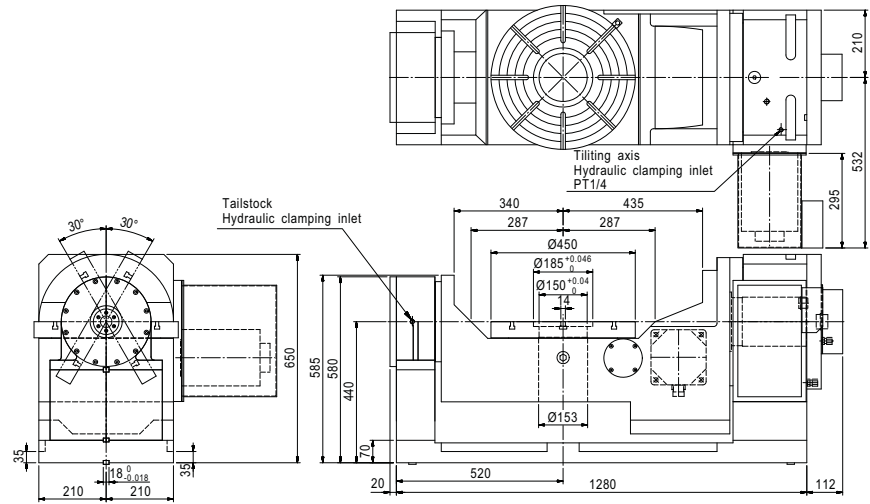
- Standard accessory : eye bolts, clamping blocks
- Could be increased tilting angle ±180°

- ◎ Adapting Tailstock→ Refer to P : 19-21
- ◎ To match AC/DC-/Stepping-Controller→ Refer to P : 33-35

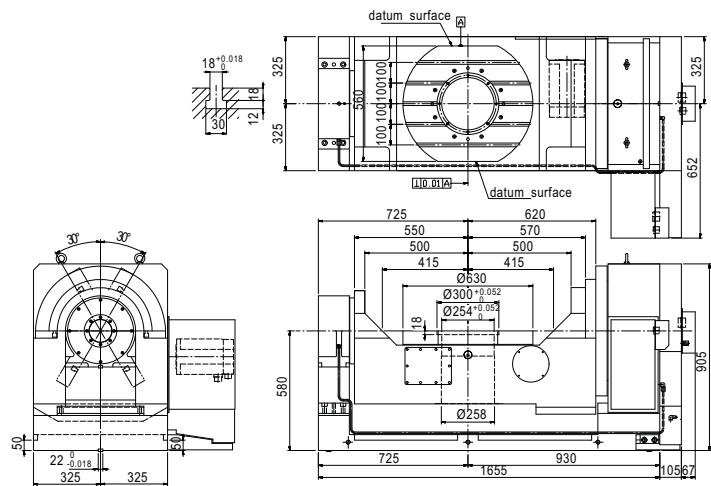
## CNCT-320SW



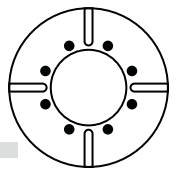
## CNCT-450



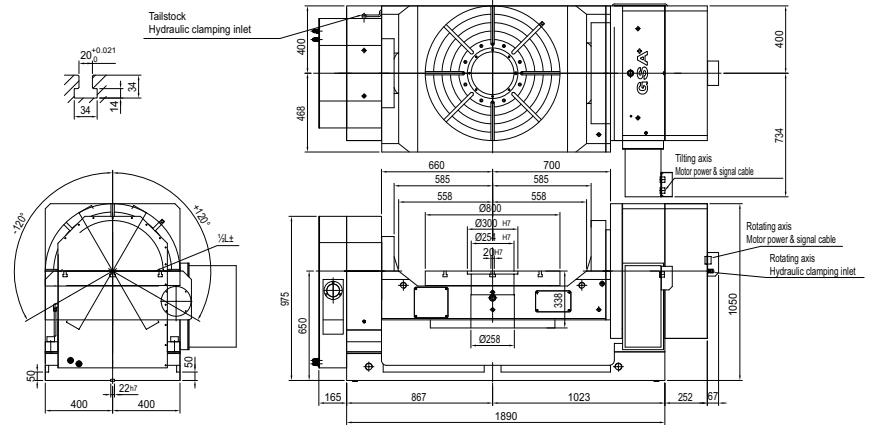
## CNCT-630



# CNCT-320SW, 450, 630, 800 CNC TILTING Rotary Table



## CNCT-800



CNCT / CNCMT

Accuracy Standards								Unit:mm	
MODEL	ITEM	Table top flatness	Parallelism of table top and frame bottom	Runout of table spindle center	Table top runout	Parallelism of tilting axis center line and frame bottom	Parallelism of table top to frame bottom guide	An encoder measuring instrument should be used for indexing accuracy measurements (Rotating)	An encoder measuring instrument should be used for indexing accuracy measurements (Tilting)
CNCT-100		0.01	0.02	0.01	0.015	0.02	0.02	30"	60"
CNCT-200		0.01	0.02	0.01	0.015	0.02	0.02	25"	50"
CNCT-250		0.01	0.02	0.01	0.015	0.02	0.02	15"	50"
CNCT-320/SW		0.01	0.02	0.01	0.015	0.02	0.02	15"	30"
CNCT-450		0.01	0.02	0.01	0.015	0.02	0.02	15"	30"
CNCT-630		0.01	0.02	0.01	0.015	0.02	0.02	15"	30"
CNCT-800		0.01	0.02	0.01	0.015	0.02	0.02	15"	30"

## HOW to Retrofit CNCT with M/C & Controller

M/C Preparation	Status of M/C	Completed package for CNCT table							FUNCTION
			CNCT-100	CNCT-200	CNCT-250	CNCT-320	CNCT-450	CNCT-630	
Standard 3 axes	CNC machine equipped with 3 axes ( X, Y, Z ) without additional axis	Rotating	M-Mate A	M-Mate A	M-Mate A	M-Mate B	M-Mate B	M-Mate B	The rotating and tilting axes only for positioning machining purpose and cost efficiency
		Tilting	M-Mate A	M-Mate A	M-Mate B	M-Mate B	M-MateC	M-Mate C	
Addition 4th axis	CNC machine equipped with an additional 4th axis (X, Z, A)	Rotating	A axis	A axis	A axis	A axis	A axis	A axis	Tilting axis prepared for positioning machining and rotating axis is prepared for continuing machining (X, Y, Z, A)
		Tilting	M-Mate A	M-Mate A	M-Mate B	M-Mate B	M-Mate C	M-Mate C	
Addition 4th 5th axis	CNC machine equipped with an additional 4th and 5th axes (X, Z, A, B)	Rotating	A axis	A axis	A axis	A axis	A axis	A axis	X · Y · Z · A · B, 5 AXES are prepared for continuing machining
		Tilting	B axis	B axis	B axis	B axis	B axis	B axis	

- Before place your order, please advise us the type of AC-SERVO-MOTOR and SERVO-DRIVE for CNC control system
- Specification of M-Mate controller, refer to P : 35