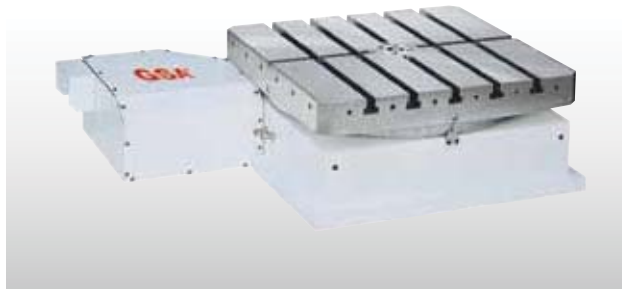
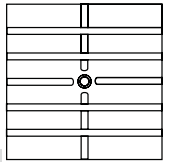


HIT-400, 500, 630, 800 Horizontal Rotary / Index Center Table



- ⊙ Suitable for Horizontal Machining Center.
- ⊙ Rotating Speed can be reached 33.3 RPM.
- ⊙ Adapting A special anti-wearing/rigid alloy of bronze/nickel worm wheel and hardened steel worm screw ensure long term indexing accuracy.
- ⊙ Double powerful brake system with large size of clamping contact surface suitable for heavy cutting.
- ⊙ Adapting 2 pcs or 3 pcs Hirth Coupling for positioning, Repeatability can be reached +/- 0.5 sec Besides accuracy will not be changed even operation times increasing.
- ⊙ Indexing Accuracy according to customer's requirement: +/- 2 sec. or +/- 3 sec.
- ⊙ All units in Tables are manufactured from high quality materials and workmanship. Every Table has Running/Accuracy testing for at least 48 hours. All electrical parts are imported from Japan/Germany for performance confidence.

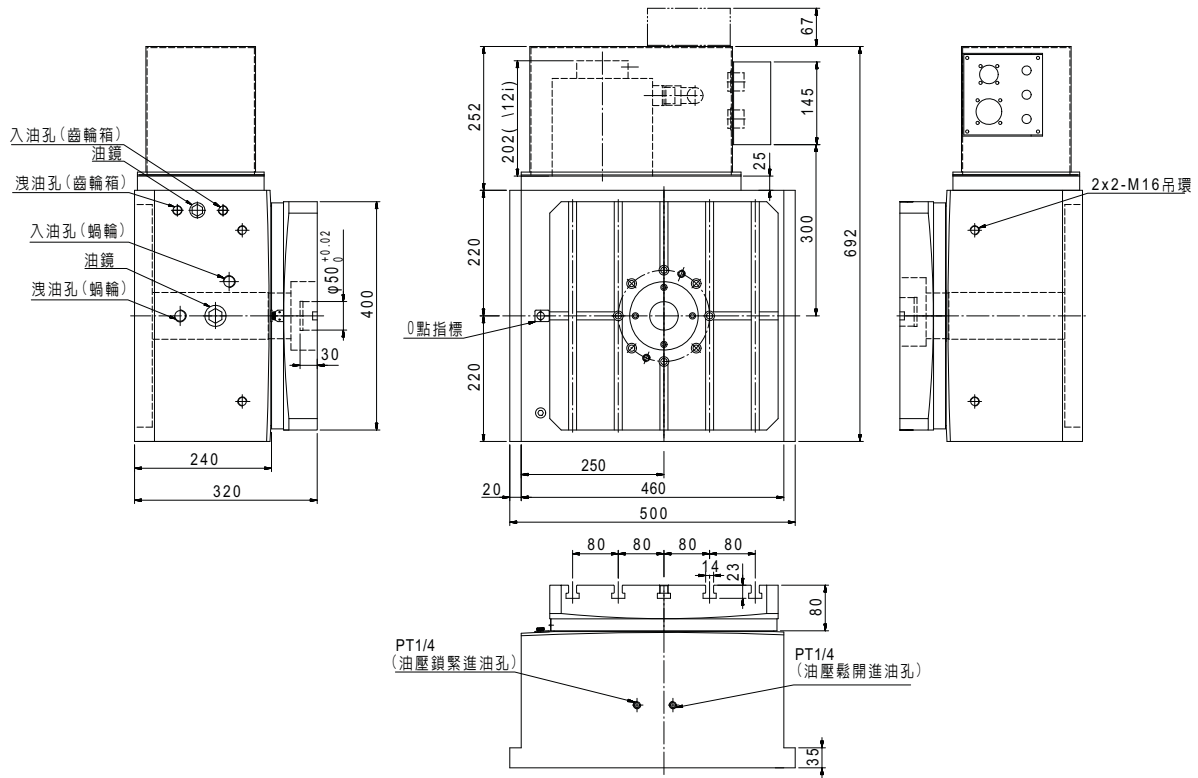
ITEM / MODEL		HIT-400		HIT-500	
Table Size LxW (mm)		400 x 400		500 x 500	
Over all height (mm)		310		310	
Center Hole Dia. (mm)		30 ^{H7}		30 ^{H7}	
T-slot size (mm)		14 ^{H7}		14 ^{H7}	
Rotating direction		CW / CCW		CW / CCW	
Power of drive	Clamping/unclamping	Hydraulic 20kg/cm ²		Hydraulic 20kg/cm ²	
	Revolving (Servo Motor Type)	MELDAS	HF-204S	MELDAS	HF-204S / HF-354S
		FANUS	α12 i	FANUS	α12 i / α22 i
		SIEMENS	1FK7083	SIEMENS	1FK7083 / 1FK7101
		HEIDENHAIN	QSY155B	HEIDENHAIN	QSY155B / QSY155D
		or other brand with same torque as above			
Gear Ratio		1:90		1:120	
Max. R.P.M. of working table (rpm)		22.2 (Motor : 2000/rpm)		16.7 (Motor : 2000/rpm)	
Min. Increment Degree		1° or 5°		1° or 5°	
Max. loading weight (kgs)		500		500	
Clamping force (kg)(evenly distributed)		3300		3700	
Lifting distance during clamp / unclamp (mm)		0		0	
Weight.(kgs)		325		360	
Indexing Accuracy (sec.)		±5"		±5"	

ITEM / MODEL		HIT-630		HIT-800	
Table Size LxW (mm)		630 x 630		800 x 800	
Over all height (mm)		285		360	
Center Hole Dia. (mm)		40 ^{H7}		55 ^{H7}	
T-slot size (mm)		20 ^{H7}		22 ^{H7}	
Rotating direction		CW / CCW		CW / CCW	
Power of drive	Clamping/unclamping	Hydraulic 25kg/cm ²		Hydraulic 35kg/cm ²	
	Revolving (Servo Motor Type)	MELDAS	HF-354S	MELDAS	HF-354S
		FANUS	α22 i	FANUS	α22 i
		SIEMENS	1FK7101	SIEMENS	1FK7101
		HEIDENHAIN	QSY155D	HEIDENHAIN	QSY155D
		or other brand with same torque as above			
Gear Ratio		1:180		1:180	
Max. R.P.M. of working table (rpm)		11.1 (Motor : 2000/rpm)		11.1 (Motor : 2000/rpm)	
Min. Increment Degree		1° or 5°		1°	
Max. loading weight (kgs)		2500		3000	
Clamping force (kg)(evenly distributed)		4000		7000	
Lifting distance during clamp / unclamp (mm)		0		0	
Weight.(kgs)		525		1360	
Indexing Accuracy (sec.)		±5"		±5"	

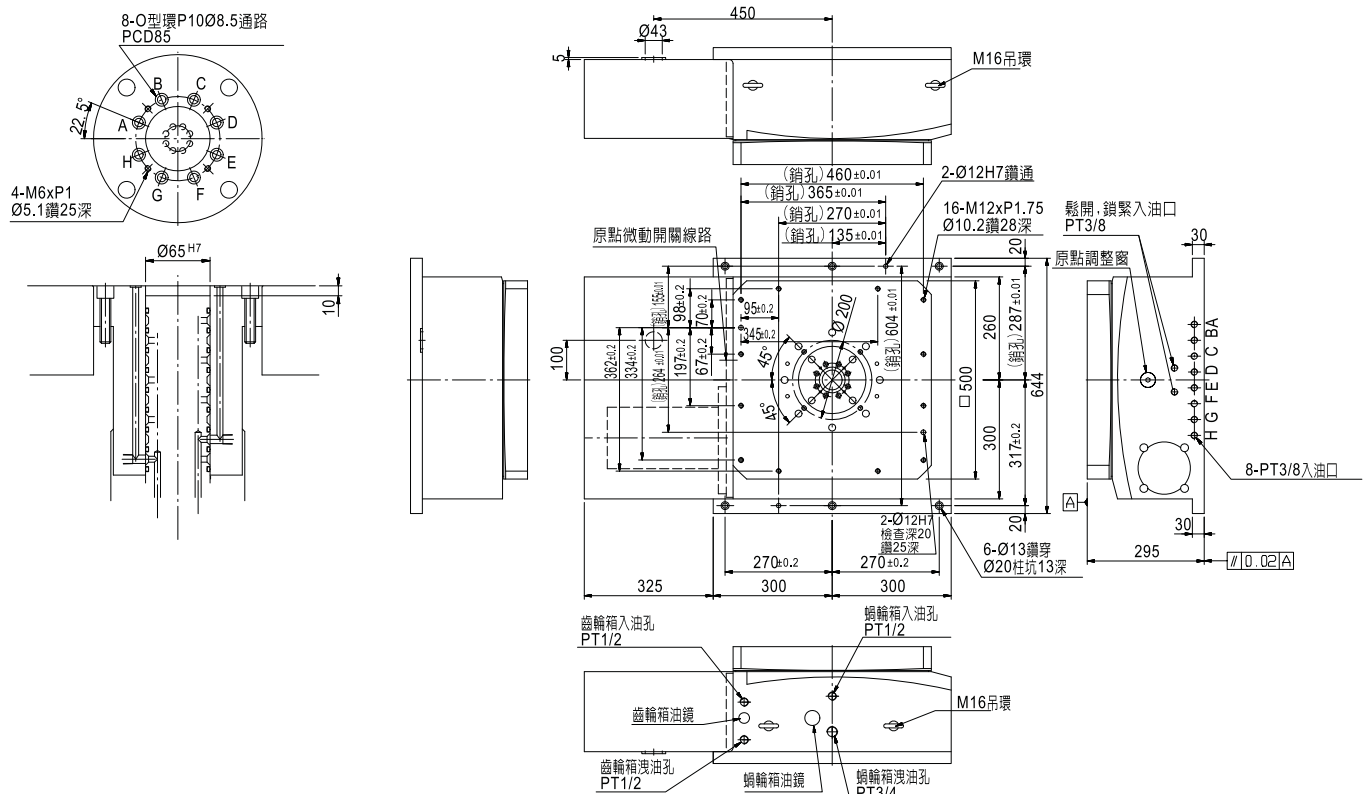
- ※ All specifications can be modified according to customers' requirement.
- Up & backside cable outlet is available, slant motor cover also available.
 - Standard accessory : eye bolts, clamping blocks

Large Size Table

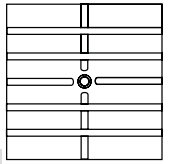
HIT-400



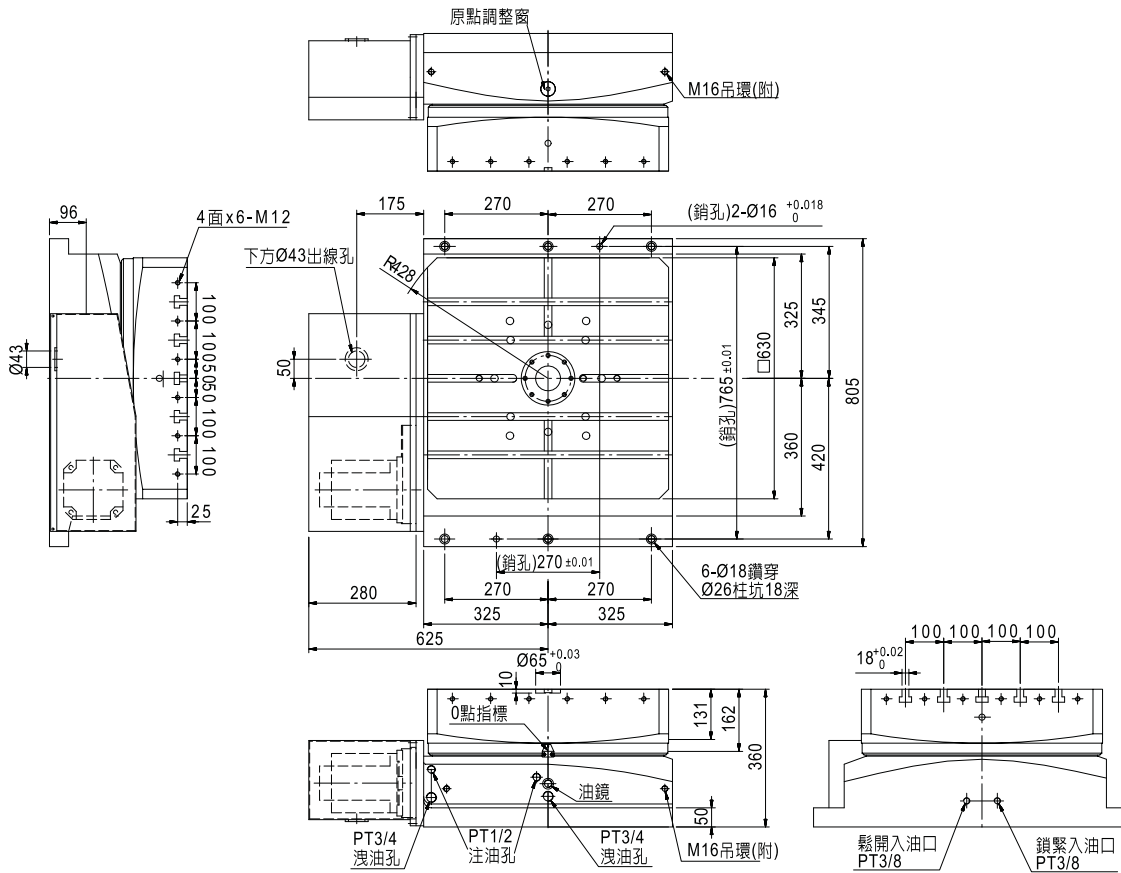
HIT-500



HIT-400, 500, 630, 800 Horizontal Rotary / Index Center Table



HIT-630



Large Size Table

HIT-800

