



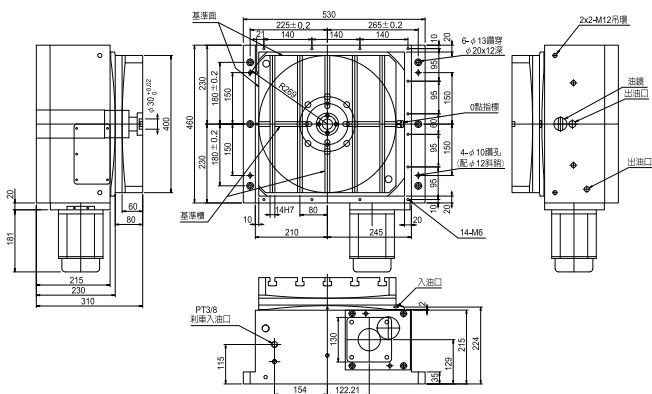
- ◎ Suitable for Horizontal Machining Center, floor type boring machine.
For both indexing & simultaneous machine.
- ◎ Hi-Accuracy, Adapting a special anti-wearing alloy of bronze/nickel double-lead worm wheel and hardened steel worm screw ensure long term indexing accuracy.
- ◎ Could be manufactured according to customers' designing and interface of machine Saddle.
- ◎ Hydraulic Clamping, high rigid brake structure for heavy cutting.
- ◎ Table size from size 400mm to 2,500mm or manufactured according to customer's requirement, high loading/accuracy design also available suitable for heavy machining and metrology applications.
- ◎ Build-in hydraulic ports system suitable for Special Machine of Horizontal machining Center and Automobile/Motorbike Industrial.
- ◎ All units in Tables are manufactured from high quality materials and workmanship.
Every Table has Running/Accuracy testing for at least 48 hours.
All electrical parts are imported from Japan/Germany for performance confidence.
- ◎ Random dividing 0.001 degrees, Indexing Accuracy according to customer's requirement
6 sec, 10 sec. or higher indexing accuracy. (encoder is required)

ITEM / MODEL	HRT-400	HRT-500	HRT-630	HRT-800
Table Size (mm)	400	500	630	800
T-slots size (mm)	14	14	18	22
Table Swing Dia. (mm)	500	660	800	1040
Total Height (mm)	310	295	360	385
Max. Loading (kgs)(evenly distributed)	500	600	1200	2000
Vertical Max. Force (kg)	1585	1880	2080	2080
Load Capacity During Rotating(kg / cm ²)	102	191	405	816
Clamping Force (kgs)	3500	5500	6500	7000
Machining Torque (kg/m)	122	230	330	350
Parallelism Of Table Top and Frame Bottom (mm)	0.015	0.015	0.025	0.03
Repeatability (sec.)	4"	4"	4"	4"

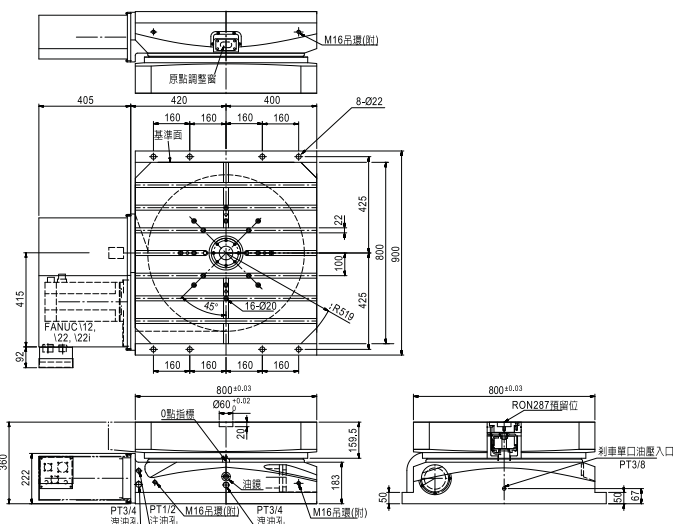
※ All specifications can be modified according to customers' requirement.

※ To match servo motor type→ Refer to P:22 (HIT series)

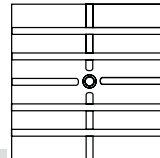
HRT-400



HRT-800



Large Size Horizontal CNC Rotary Table

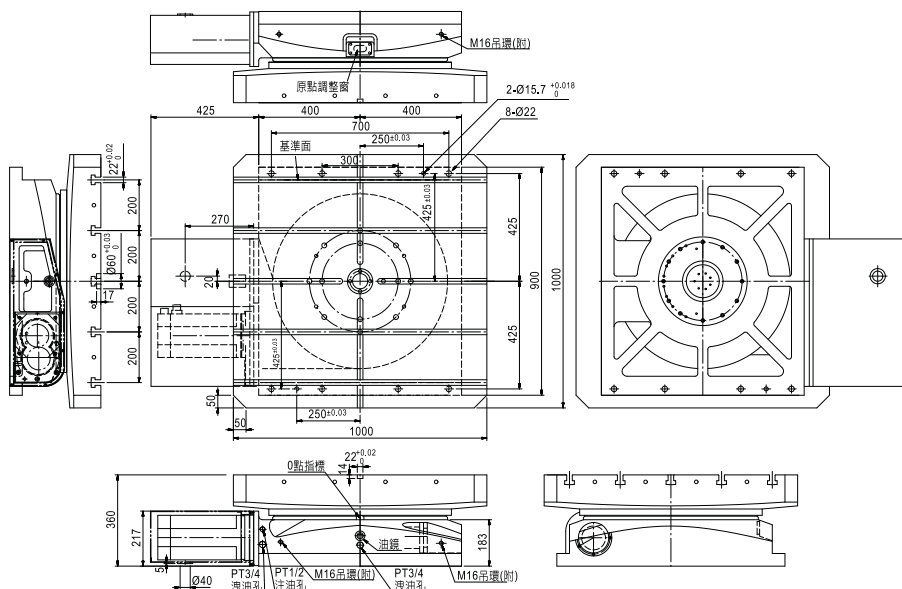


AXIAL-RADIAL ROLLER BEARING SERIES

ITEM / MODEL		HRT-1000	HRT-1500	HRT-2000	HRT-2500
Table Size (mm)		∅1000 □1000X1000	∅1500 □1500X1500	∅2000 □2000X2000	∅2500 □2500X2500
T-slots size (mm)		22	28	28	32
Table Swing Dia. (mm)		○1000 □1300	○1500 □1950	○2000 □2600	○2500 □3200
Total Height (mm)		530	530	600	600
Max. Loading (kgs)		5,000	15,000	20,000	30,000
Indexing Accuracy (sec.)		A6" B10"	A6" B10"	A6" B10"	A6" B10"
Repeatability (sec.)		4"	4"	4"	4"
Clamping Force (kgs)		5,000	15,000	20,000	30,000
Machining Torque (kg/m)		300	700	900	1600
Parallelism Of Table Top and Frame Bottom (mm)		0.01/300	0.01/300	0.01/300	0.01/300
Gear Ratio		1/360	1/720	1/720	1/720
Servo Motor Type	FANUC	α22 i	α30 i	α30 i	α30i

※ All specifications can be modified according to customers' requirement.

HRT-1000



Large Size Table

HRT-1200

